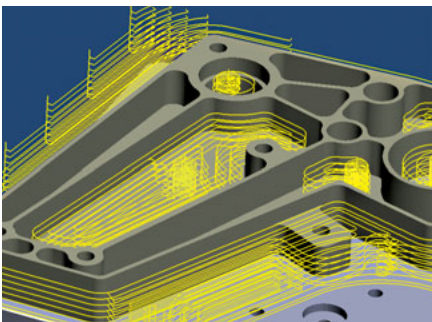
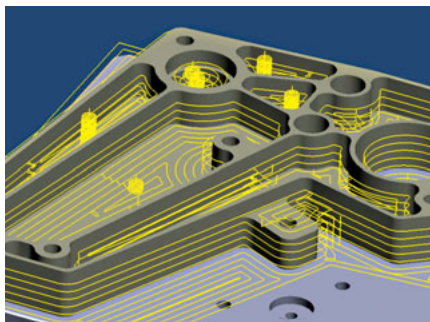


Transverse beam: Milled on a MIKRON HPM 600

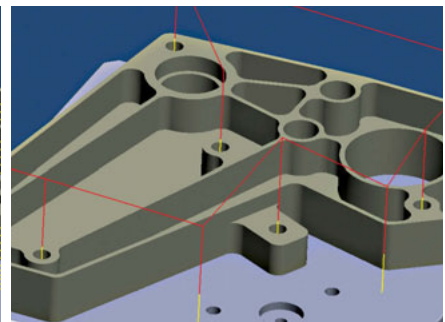
For applications with high material removal requirements in a short time with an accuracy of 20 µm and a surface scallop height of 2 µm, efficient CAM strategies are needed that can provide a high chip-to-time ratio. *hyperMILL*® offers powerful 2.5D, 3D and 5-axis strategies for fast machining. Thanks to the software's feature technology, recurring job sequences such as pocket roughing can easily be automated.



Stock roughing: The blank is machined level by level with a large tool in contour-parallel mode. The shortest possible tool stick-out can be calculated using collision detection and avoidance. As a result, higher process parameters can be achieved.



Rest material roughing: In combination with stock tracking, the "Arbitrary stock roughing" cycle can also be used for rest machining. Thanks to precise machining status feedback for the blank, milling only proceeds in areas where rest material is detected.



Tapping: Drill feature recognition searches all the models within a defined area for drillings and also detects tappings. This speeds up programming for all types of drillings.



Machine: MIKRON HPM 600

Job description	Tool	Diameter [mm]	Corner radius [mm]	No. of teeth	Spindle RPM [min ⁻¹]	Feedrate [mm/min]	step-over width [mm]	Infeed depth [mm]	Machining time [min]
		D	R	z	n	v _f	a _e	a _p	t
Roughing	Endmill	16	0	2	16.000	3.800	8-16	4	17'00"
Rest material roughing	Endmill	10	0	2	20.000	4.500	5	5	7'42"
Finishing	Endmill	10	0	2	20.000	4.500	0,2	11	4'11"
Rest material roughing	Endmill	5	0	2	20.000	2.000	2,5	2	7'00"
Finishing	Endmill	5	0	2	20.000	1.000	0,2	2,75	14'37"
Drilling	Carbide drill	20	-	-	1.900	570	-	-	0'10"
(Total) machining									54'33"



OPEN MIND Technologies AG
 Argelsrieder Feld 5 • 82234 Wessling • Germany
 Phone: +49 8153 933-500 • Fax: +49 8153 933-501
 E-mail: Info.Europe@openmind-tech.com
 Internet: www.openmind-tech.com



AgieCharmilles

Mikron Agie Charmilles AG
 HSM Competence
 Ipsachstrasse 16 • 2560 Nidau • Switzerland
 Phone: +41-32-366 11 11 • Fax: +41-32-366 11 66
 E-mail: info@mikron-ac.com
 Internet: www.gfac.com